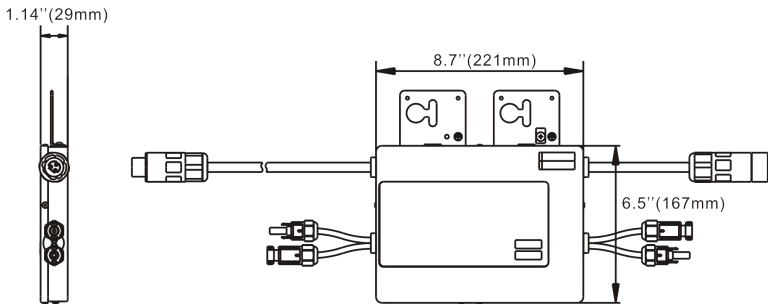


YC500A

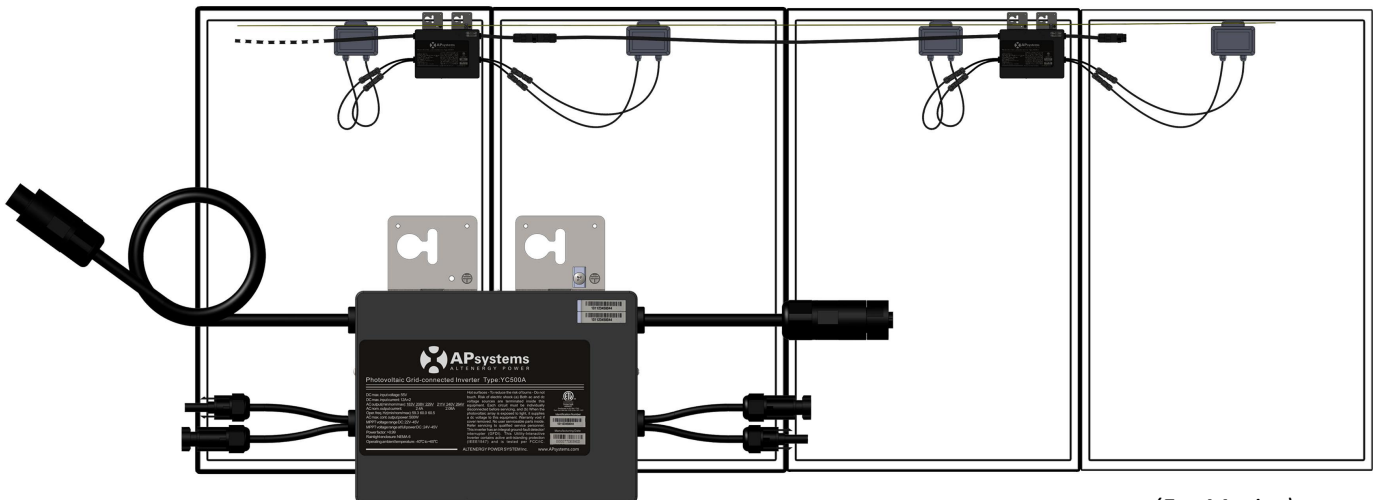
Microinverter

- Single unit connects two solar modules
- Individual MPPT for each module

DIMENSIONS



Our flagship product, the APsystems YC500A is a grid-tied microinverter with intelligent networking and monitoring systems to ensure maximum efficiency. Highly dependable and cost effective, the YC500A delivers 225W to 250W AC per module with dual MPPT. Half the inverters and half the installation means real cost savings for residential and commercial customers.



(For Mexico)

APsystems YC500 Microinverter Datasheet

Region	Mexico	
Model	YC500A-MX	YC500A-NA-MX
Input Data (DC)		
MPPT Voltage Range	22V-45V	
Operation Voltage Range	16V-52V	
Maximum Input Voltage	55V	
Startup Voltage	22V	
Maximum Input Current	10.5A x 2	12A x 2
Output Data (AC)		
Nominal Output Voltage	127V	220V
Maximum Continuous Output Power	450W	500W
Nominal Output Current	3.54A	2.27A
Default Output Voltage Range	95V-155V*	181V-264V*
Extended Output Voltage Range	82V-155V	181V-298V
Nominal Output Frequency	60Hz	
Default Output Frequency Range	57Hz-62Hz*	
Extended Output Frequency Range	55.1Hz -64.9Hz	
Power Factor	>0.99	
Total Harmonic Distortion	<3%	
Maximum Units per Branch	4 for 20A Breaker** 5 for 25A Breaker**	7 for 20A Breaker** 8 for 25A Breaker**
Efficiency		
Peak Efficiency	95.5%	
Night Power Consumption	120mW	
Mechanical Data		
Operating Ambient Temperature Range	-40°C to +65°C (-40 °F to +149 °F)	
Storage Temperature Range	-40°C to +85°C (-40 °F to +185 °F)	
Dimensions (W x H x D)	221mm x 167mm x 29mm (8.7" x 6.6" x 1.1")	
Weight	2.5kg (5.5lbs)	
AC Cable	12AWG	
Enclosure Rating	NEMA 6	
Cooling	Natural Convection - No Fans	
Features & Compliance		
Communication(Inverter To ECU)	Power Line Communication	
Transformer Design	High Frequency Transformers, Galvanically Isolated	
Monitoring	Via EMA software	
Compliance	NOM	

*Programmable through ECU to meet customer need.

** Depending on the local regulations.

© All Rights Reserved

Specifications subject to change without notice - please ensure you are using the most recent update found at www.APsystems.com

Rm.B403, No.188 Zhangyang Road, Pudong, Shanghai 200120, P.R.C | 021-33928205 | APsystems.com