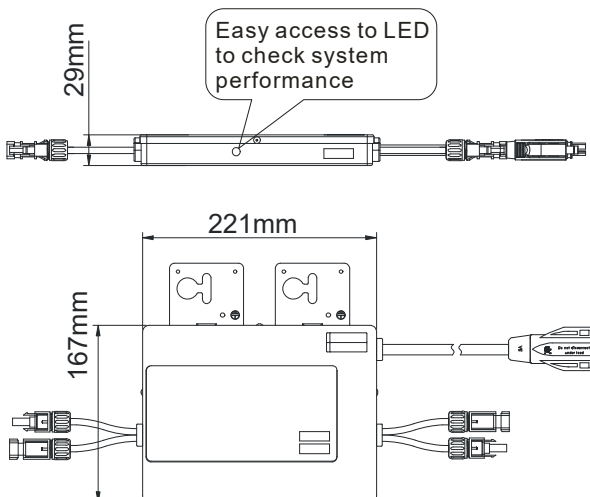




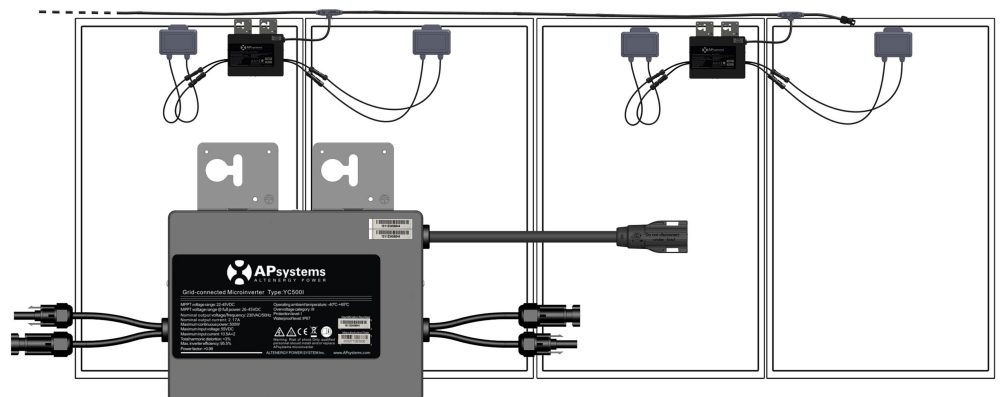
YC500I Microinverter

- Single unit connects two solar modules
- Individual MPPT for each module
- Maximum continuous output power 500W
- Auto disconnection device integrated

DIMENSIONS



Our flagship product, the APsystems YC500I is a grid-tied microinverter with intelligent networking and monitoring systems to ensure maximum efficiency. Highly dependable and cost effective, the YC500I delivers 250W AC per module with dual MPPT. Half the inverters and half the installation means real cost savings for residential and commercial customers.



APsystems YC500I Microinverter Datasheet

Region

Great Britain

Model

YC500I-UK

Input Data (DC)

MPPT Voltage Range	22V-45V
Operation Voltage Range	16V-52V
Maximum Input Voltage	55V
Startup Voltage	22V
Maximum Input Current	10.5Ax 2
Maximum DC Short Circuit Current	15A

Output Data (AC)

Maximum Output Power	500W
Nominal Output Voltage	230V
Nominal Output Current	2.17A
Default/Protect Output Voltage Range	200.1-262.2V* (207-264V* For G83/1)
Extended/Reconnect Output Voltage Range	149-278V
Nominal Output Frequency	50Hz
Default/Protect Output Frequency Range	47.5-51.5Hz* (47-50.5Hz* For G83/1)
Extended/Reconnect Output Frequency Range	45.1-54.9Hz
Power Factor	>0.99
Total Harmonic Distortion	<3%

Efficiency

Max. Inverter Efficiency	95.5%
Night Power Consumption	120mW

Mechanical Data

Operating Ambient Temperature Range	-40 °C to +65 °C
Storage Temperature Range	-40 °C to +85 °C
Dimensions (W x H x D)	221mm X 167mm X 29mm
Weight	2.5kg
AC Bus Maximum Current	20A
Enclosure Rating	IP67
Cooling	Natural Convection - No Fans

Features & Compliance

Communication (Inverter To ECU)	Power Line Communication
Monitoring	Via EMA**Software
Transformer Design	High Frequency Transformers, Galvanically Isolated
Safety And EMC Compliance	EN 62109-1; EN 62109-2; EN61000-6-1;EN61000-6-2; EN61000-6-3; EN61000-6-4;
Grid Connection Compliance	G83 Issue2;ER G83/1+G83/1-1
Automatic Disconnect	Auto Disconnection Device Integrated

*Programmable through ECU to meet customer need.

**Energy Management Analysis

© All Rights Reserved

Specifications subject to change without notice - please ensure you are using the most recent update found at www.APsystems.com

Cypresbaan 7, 2908LT, Capelle aan den IJssel, The Netherlands | 0031-10-2582670 | APsystems.com |