

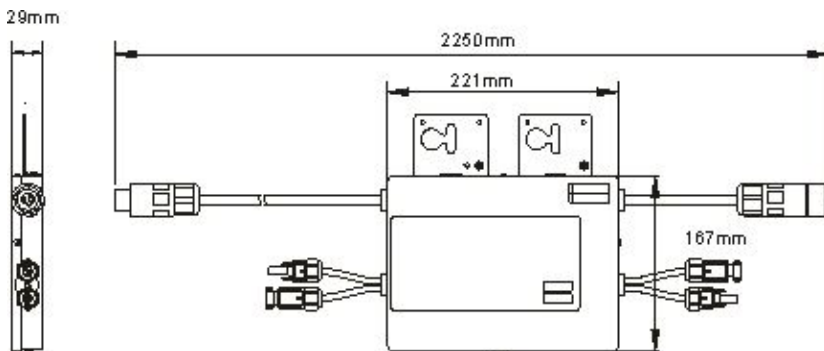


YC500A

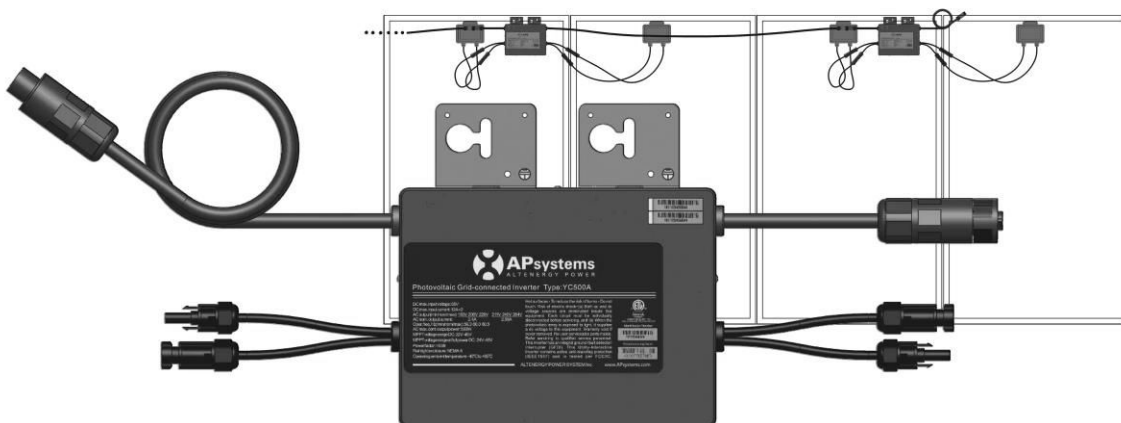
Microinverter

- Single unit connects two solar modules
- Individual MPPT for each module
- Maximum output power 500W
- Auto disconnection device integrated

DIMENSIONS



Our flagship product, the APsystems YC500A is a grid-tied microinverter with intelligent networking and monitoring systems to ensure maximum efficiency. Highly dependable and cost effective, the YC500A delivers 250W AC per module with dual MPPT. Half the inverters and half the installation means real cost savings for residential and commercial customers.



(For Brazil)

APsystems YC500A Microinverter Datasheet

Region	Brazil	
Model	YC500A-BR	YC500A-127-BR
Input Data (DC)		
MPPT Voltage Range	22V-45V	
Operation Voltage Range	16V-52V	
Maximum Input Voltage	55V	
Startup Voltage	22V	
Maximum Input Current	12A x 2	
Output Data (AC)		
Maximum Output Power	500W	
Nominal Output Voltage	220V	127V
Nominal Output Current	2.27A	3.94V
Default Output Voltage Range	176V-242V*	101.6V-139.7V*
Extended Output Voltage Range	150V-298V	82V-155V
Nominal Output Frequency	60Hz	
Default Output Frequency Range	57.5Hz-62Hz*	
Extended Output Frequency Range	55.1Hz -64.9Hz	
Power Factor	>0.99	
Total Harmonic Distortion	<3%	
Efficiency		
Peak Efficiency	95.5%	95%
Night Power Consumption	120mW	
Mechanical Data		
Operating Ambient Temperature Range	-40°C to +65°C	
Storage Temperature Range	-40°C to +85°C	
Dimensions (W x H x D)	221mm x 167mm x 29mm	
Weight	2.5kg	
AC Cable	25A	
Enclosure Rating	IP67	
Cooling	Natural Convection - No Fans	
Features & Compliance		
Communication (Inverter To ECU)	Power Line Communication	
Monitoring	Via EMA Software	
Transformer Design	High Frequency Transformers, Galvanically Isolated	
Compliance	ABNT NBR 16149:2013, ABNT NBR 16150:2013 and ABNT NBR IEC 62116: 2012	
Automatic Disconnect	Auto Disconnection Device Integrated	

*Programmable through ECU to meet customer need.

© All Rights Reserved

Specifications subject to change without notice - please ensure you are using the most recent update found at www.APsystems.com

600 Ericksen Ave NE, Suite 200 Seattle, WA 98110 | 844.666.7035 | APsystems.com