



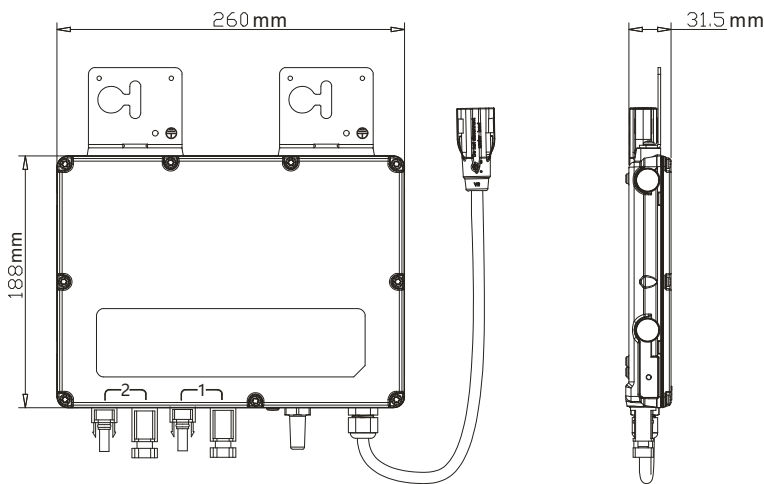
YC600

Grid-tied Microinverter

with Reactive Power Control features

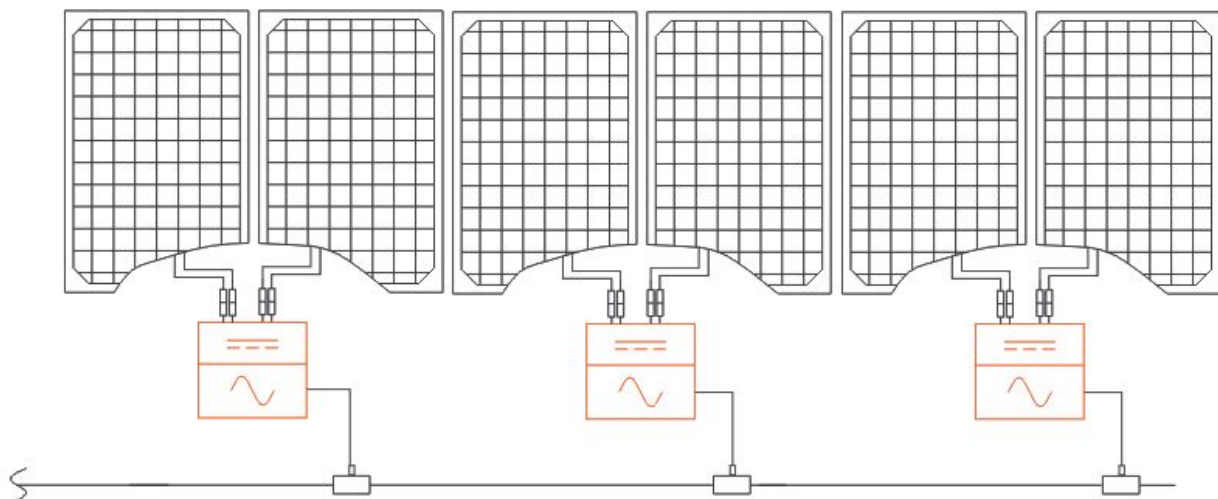
- Single unit connects two modules
- 2 input channels with independent MPPT and monitoring function
- Maximum continuous output power up to 550W
- Auto disconnection device integrated
- Adjustable output power factor

DIMENSIONS



Our flagship new range of Grid-tied microinverters with Reactive Power Control (RPC) features includes the new YC600. The APsystems YC600 is a grid-tied microinverter with intelligent networking and advanced monitoring systems to ensure maximum efficiency. High efficiency, high reliability of the YC600 with 2 independent MPPT input, Maximum continuous output to power 550W. Half the inverters and half the installation means real cost savings for residential and commercial customers.

WIRING SCHEMATIC



APsystems YC600 Grid-tied Microinverter Datasheet

Region Australia **New Zealand**
Model YC600

Input Data (DC)

MPPT Voltage Range	22V-45V
Operation Voltage Range	16V-55V
Maximum Input Voltage	55V
Startup Voltage	20V
Maximum Input Current	12A × 2

Output Data (AC)

Maximum Continuous Output Power	550VA
Peak Output Power	600VA
Nominal Output Voltage	230V
Nominal Output Current	2.39A
Default Output Voltage Range	180V-260V*
Extended Output Voltage Range	150V-300V
Nominal Output Frequency	50Hz
Default Output Frequency Range	47Hz-52Hz* 45Hz-52Hz*
Extended Output Frequency Range	45Hz -55Hz
Power Factor (Adjustable)	0.7 leading...0.7 lagging
Total Harmonic Distortion	<3%
Maximum Units per Branch	8* (16 PV modules)

Efficiency

Peak Efficiency	95.5%
Nominal MPPT Efficiency	99.5%
Night Power Consumption	120mW

Mechanical Data

Operating Ambient Temperature Range	-40°C to +65°C
Storage Temperature Range	-40°C to +85°C
Dimensions (W x H x D)	260mm × 188mm × 31.5mm
Weight	3.25kg
AC BUS Maximum Current	20A
Enclosure Rating	IP67
Overvoltage Category	III
Pollution Degree(PD)	PD3
Cooling	Natural Convection - No Fans

Features & Compliance

Communication	Wireless (Zigbee)
Transformer Design	High Frequency Transformers, Galvanically Isolated
Monitoring	Via EMA** Software

* Depending on the local regulations.

** Energy Management Analysis

© All Rights Reserved

Specifications subject to change without notice - please ensure you are using the most recent update found at www.APsystems.com

Suite 502, 8 Help Street, Chatswood NSW 2067 Australia | 61 (0)2 8034 6587 | APsystems.com