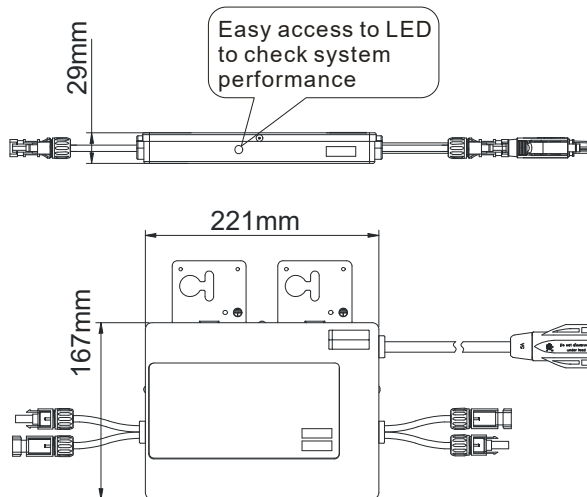


YC500I

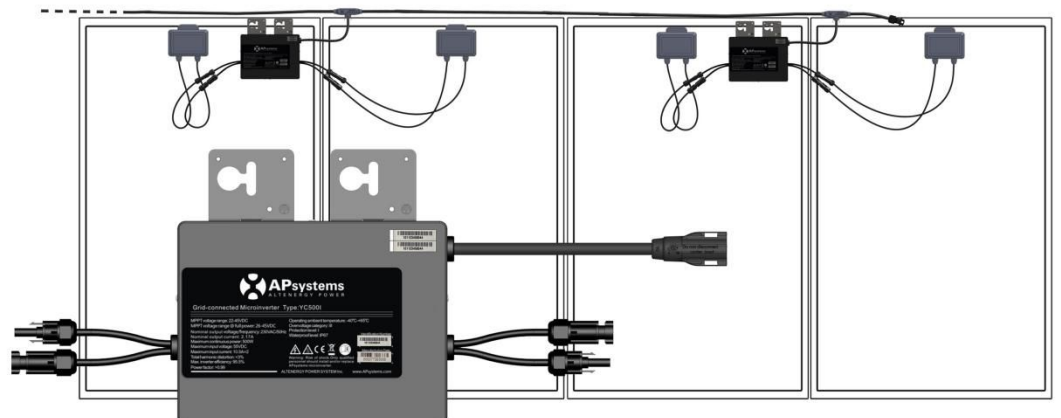
Microinverter

- Single unit connects two solar modules
- Individual MPPT for each module
- Maximum continuous output power 500W
- Auto disconnection device integrated

DIMENSIONS



Our flagship product, the APsystems YC500I is a grid-tied microinverter with intelligent networking and monitoring systems to ensure maximum efficiency. Highly dependable and cost effective, the YC500I delivers 250W AC per module with dual MPPT. Half the inverters and half the installation means real cost savings for residential and commercial customers.



YC500I Microinverter Datasheet

Region Sri Lanka
Model YC500I-LK

Input Data (DC)

| | |
|-------------------------|----------|
| MPPT Voltage Range | 22V-45V |
| Operation Voltage Range | 16V-52V |
| Maximum Input Voltage | 55V |
| Startup Voltage | 22V |
| Maximum Input Current | 10.5Ax 2 |

Output Data (AC)

| | |
|--|--------------------|
| Maximum Output Power | 500W |
| Nominal Output Voltage | 230V |
| Nominal Output Current | 2.17A |
| Default/Protect Output Voltage Range | 195.5V-253V* |
| Extended/Output Voltage Range | 149-278V |
| Nominal Output Frequency | 50Hz |
| Default/Protect Output Frequency Range | 49Hz-51Hz* |
| Extended/Output Frequency Range | 45.1-54.9Hz |
| Power Factor | >0.99 |
| Total Harmonic Distortion | <3% |
| Maximum Units per Branch | 9 for 20 Breaker** |

Efficiency

| | |
|--------------------------|-------|
| Max. Inverter Efficiency | 95.5% |
| Night Power Consumption | 120mW |

Mechanical Data

| | |
|-------------------------------------|---|
| Operating Ambient Temperature Range | -40 °F to +149 °F (-40 °C to +65 °C) |
| Storage Temperature Range | -40 °F to +185 °F (-40 °C to +85 °C) |
| Dimensions (W x H x D) | 221mm X 167mm X 29mm (8.7" x 6.6" x 1.1") |
| Weight | 5.5lbs/2.5kg |
| Enclosure Rating | IP67 |
| Cooling | Natural Convection - No Fans |

Features & Compliance

| | |
|---------------------------------|--|
| Communication (Inverter To ECU) | Power Line Communication |
| Monitoring | Via EMA **Software |
| Transformer Design | High Frequency Transformers, Galvanically Isolated |
| Grid Connection Compliance | IEC 61727 |

*Programmable through ECU to meet customer need.

**Energy Management Analysis

© All Rights Reserved

Specifications subject to change without notice - please ensure you are using the most recent update found at www.APsystems.com

B403 No.188, Zhangyang Road, Pudong, Shanghai | +86 21 3392 8205 | APsystems.com