



YC1000-3

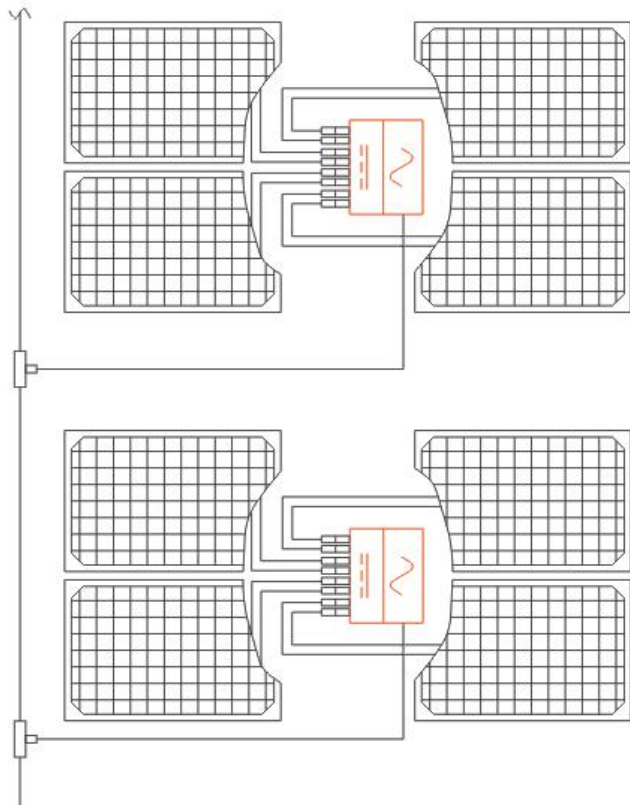
3-Phase Microinverter

- Single unit connects up to four modules
- Maximum 1130W AC output
- True 3-phase output
- ZigBee wireless communication and monitoring
- Up to 48 solar modules (60 or 72-cell) can be linked in a single 20A circuit*

*Please see YC1000 user manual on specifications for 230/400VAC.

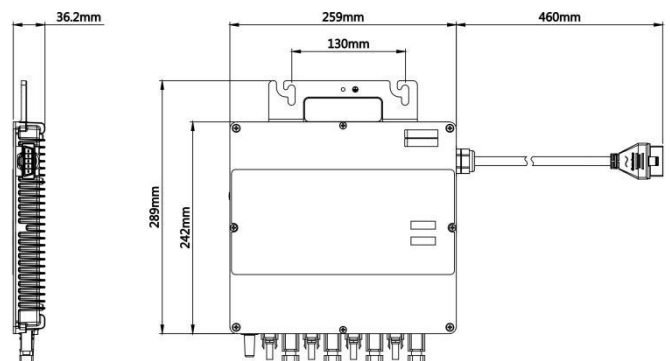
World's first true 3-phase microinverter – only from APsystems

WIRING SCHEMATIC



The YC1000 is the industry's first true 3-phase solar microinverter, handling commercial grid voltages of 230/400 with 1130 watts maximum output, ZigBee communication and an integrated ground. Each YC1000 supports up to 4 solar modules.

DIMENSIONS



(For South Africa)

YC1000-3 3-Phase Microinverter Datasheet

Region South Africa
Model YC1000-3-ZA

Input Data (DC)

MPPT Voltage Range	16V-55V
Operation Voltage Range	16V-55V
Maximum Input Voltage	60V
Startup Voltage	22V
Maximum Input Current	14.8A×4

Output Data (AC)

3-Phase Grid Type	230V/400V
Rated Output Power	900W
Maximum Output Power	1130W
Nominal Output Current	1.30A×3
Nominal Output Voltage	230V×3
Default Output Voltage Range	195.5V-253V*
Extended Output Voltage Range	149V-278V
Nominal Output Frequency	50Hz
Default Output Frequency Range	47.5Hz-52Hz*
Extended Output Frequency Range	45.1Hz-54.9 Hz
Power Factor	>0.99
Total Harmonic Distortion	<3%

Efficiency

Peak Efficiency	95%
CEC Weighted Efficiency	94.5%
Nominal MPPT Efficiency	99.9%
Night Power Consumption	300mW

Mechanical Data

Operating Ambient Temperature Range	-40°C to +65°C
Storage Temperature Range	-40°C to +85°C
Dimensions (W x H x D)	259mm × 242mm × 36mm
AC BUS Maximum Current	20A
Weight	3.5kg
Enclosure Rating	IP67
Cooling	Natural Convection - No Fans

Features & Compliance

Communication	Zigbee
Safety and EMC Compliance	EN 62109-1; EN 62109-2; EN61000-6-1; EN61000-6-2; EN61000-6-3; EN61000-6-4;
Grid Connection Compliance	NRS 097-2-1
Transformer Design	High Frequency Transformers, Galvanically Isolated
Automatic Disconnect	Auto Disconnection Device Integrated

* Programmable through ECU in field to meet customer need.

© All Rights Reserved

Specifications subject to change without notice - please ensure you are using the most recent update found at www.APsystems.com

Rue des Monts dor ZAC de Follieuses Sud-Les Echets 01700 Miribel, France | +33-481 65 60 40 | APsystems.com |