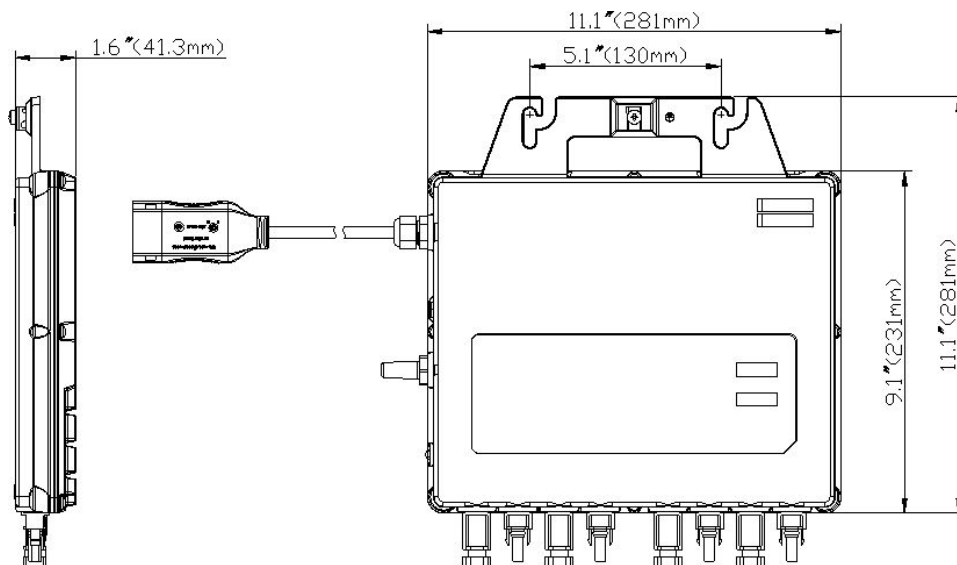


Leading the Industry in
Solar **Microinverter** Technology

QS1 Microinverter

- Single unit connects up to four solar modules
- 4 input channels with independent MPPT and monitoring function
- Maximum continuous output power up to 1200W

DIMENSIONS



The APsystems QS1 is a grid-tied microinverter with intelligent networking and advanced monitoring systems to ensure maximum efficiency. High efficiency, high reliability of the QS1 with 4 independent MPPT inputs, Maximum AC output power reaching 1200W. Quarter the inverters and quarter the installation means real cost savings for residential and commercial customers.

QS1 Microinverter Datasheet

Region	LATAM	
Model	QS1-NA-MX	QS1-BR
Input Data (DC)		
Recommended PV Module Power (STC) Range	250Wp-375Wp	
MPPT Voltage Range	22V-48V	
Operation Voltage Range	16V-55V	
Maximum Input Voltage	60V	
Maximum Input Current	12A x 4	
Output Data (AC)		
Maximum Continuous Output Power	1200W	
Peak Output Power	1250W	
Nominal Output Voltage/Range	240V/211V-264V	220V/176V-242V
Adjustable Output Voltage Range	160-278V	
Nominal Output Current	5A	5.45A
Nominal Output Frequency/Range	60Hz/59.3Hz-60.5Hz	60Hz/57.5Hz-62Hz
Adjustable Output Frequency Range	55.1-64.9Hz	
Power Factor	>0.99	
Total Harmonic Distortion	<3%	
Maximum Output Fault Current (AC) And Duration	137 Apk, 0.78 ms of duration	
Maximum Output Overcurrent Protection	10A	
Efficiency		
Peak Efficiency	96.5%	
Nominal MPPT Efficiency	99.5%	
Night Power Consumption	30mW	
Mechanical Data		
Operating Ambient Temperature Range	-40° F to +149° F (-40 °C to +65 °C)	
Storage Temperature Range	-40° F to +185° F (-40 °C to +85 °C)	
Dimensions (W x H x D)	11.1" x 9.1" x 1.6"(281mm x 231mm x 41.3mm)	
Weight	9.9lbs(4.5kg)	
AC Bus Maximum Current	20A	
Connector Type	MC4 Type or Customize	
Enclosure Environmental Rating	Type6	IP67
Cooling	Natural Convection - No Fans	
Features		
Communication (Inverter To ECU)	Wireless Zigbee	
Transformer Design	High Frequency Transformers, Galvanically Isolated	
Monitoring	Via EMA* Online Portal	
Warranty	10 Years Standard	
Certificate&Compliance		
Compliance	UL1741;CSA C22.2 No.107.1-01; FCC Part15; ANSI C63.4;ICES-003;IEEE1547	ABNT NBR 16149:2013, ABNT NBR 16150:2013

*APsystems online Energy Management Analysis (EMA) platform

© All Rights Reserved

Specifications subject to change without notice
please ensure you are using the most recent update found at www.APsistemas.com

AV. Lazaro Cardenas 2850-5º Piso, Colonia Jardines del Bosque C.P. 44520, Guadalajara, Jalisco |
52 (33) -3188-4604 | APsystems.com