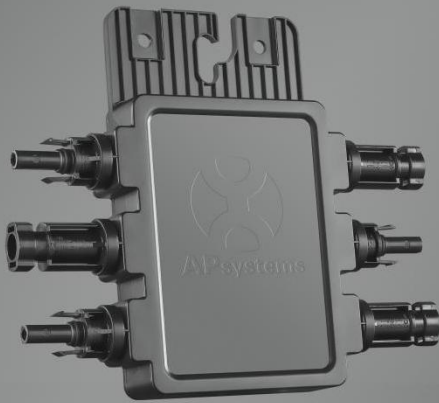


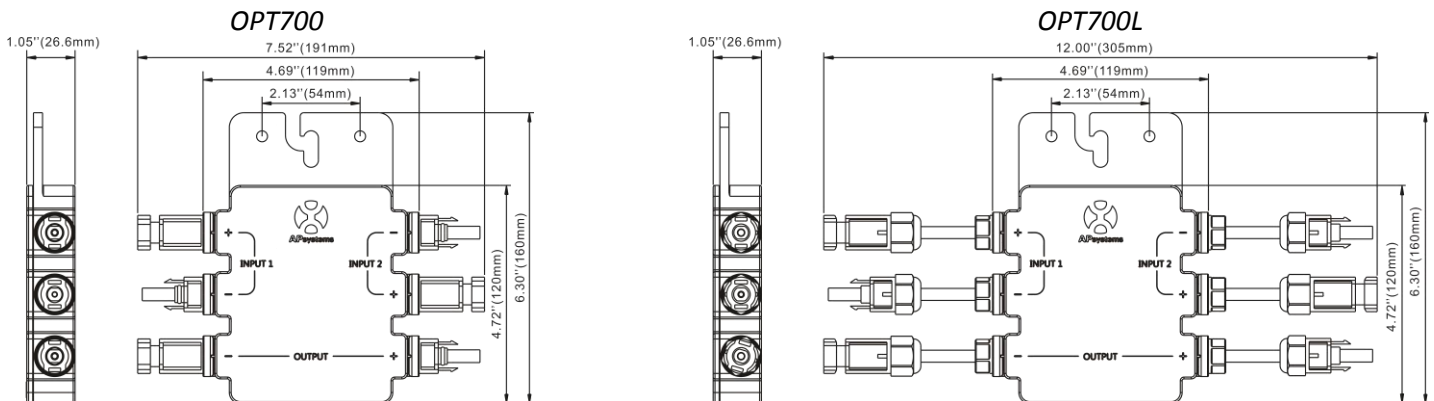
OPT700/OPT700L

PV Power Optimizer

- Up to 25% power output increase
- Single unit connects one or two solar modules
- Individual MPPT/monitoring for each module
- Rapid shutdown function meets the NEC 690.12 requirements.



DIMENSIONS



The APsystems OPT700/OPT700L is a PV Power Optimizer with intelligent networking and monitoring systems to ensure maximum efficiency, Highly dependable and cost-effective, the OPT700/OPT700L enhances 25% of the generating capacity . Simply installation and small volume means real high generating for residential and commercial customers.

The APsystems OPT700/OPT700L is built in with RSD function, which meets the NEC690.12 standard. When there is an emergency , the Energy Communication Unit (ECU-R-RS) stops sending signals and the OPT700/OPT700L shuts down the power output and eliminates DC high voltage by switching off the AC breaker in the cabinet.The system will be much safer.

OPT700/OPT700L Datasheet

| Model | OPT700 | OPT700L |
|---|--|---------|
| Input Data (DC) | | |
| Maximum PV Module STC Power | 375W × 2 | |
| Maximum Input Voltage | 50VDC | |
| MPPT Voltage Range | 16-40VDC | |
| Operation Voltage Range | 12-50VDC | |
| Maximum Input Short Circuit Current(DC) | 12A × 2 | |
| Output Data (DC) | | |
| Maximum Output Voltage | 90VDC | |
| Maximum Output Current | 12A | |
| Efficiency | | |
| Peak Efficiency | 99.5% | |
| Mechanical Data | | |
| Operating Ambient Temperature Range | -40 °F to +149 °F (-40 °C to +65 °C) | |
| Storage Temperature Range | -40 °F to +185 °F (-40 °C to +85 °C) | |
| Dimensions (with connectors) | 7.52" x 6.30" x 1.05" (191mm x 160mm x 26.6mm) | |
| Weight | 1.1lbs/0.5kg | |
| Enclosure Rating | IP68 , NEMA 6P | |
| Cooling | Natural Convection - No Fans | |
| Features & Compliance | | |
| Communication | Wireless | |
| Monitoring | Via EMA Software | |
| Emissions & Immunity (EMC) Compliance | FCC Part15; ANSI C63.4; ICES-003; EN 61000-6-1,EN 61000-6-2,EN 61000-6-3,EN 61000-6-4,AS/NZS 61000.6.3 | |
| Safety Class Compliance | UL1741,CSA C22.2 No.107.1-01; EN 62109-1,EN 62479 | |
| Radio Spectrum | EN 301489-1, EN 301489-17, EN 300328,AS/NZS 4268 | |
| RSD Function | Default Enable | |
| Maximum System Voltage | 1000V | |

Specifications subject to change without notice - please ensure you are using the most recent update found at www.APsystems.com

© All Rights Reserved

APsystems Shanghai:
B403 No.188, Zhangyang Road, Pudong, Shanghai | +86 21 3392 8205